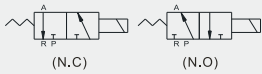


# 3通直动型电磁阀/橡胶密封

## 3 Way Direct Type Solenoid Valve/Elastic Seal

### TSV111 Series

图形符号



#### Common Specification (共同规格)

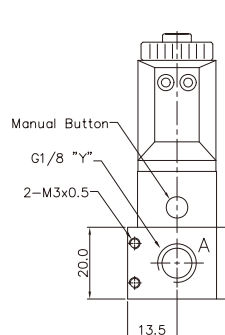
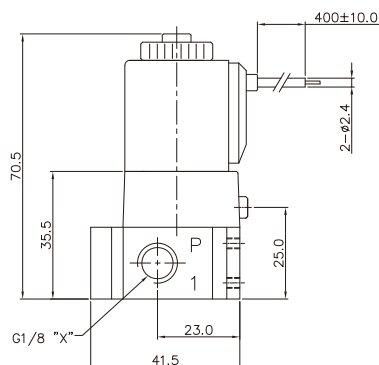
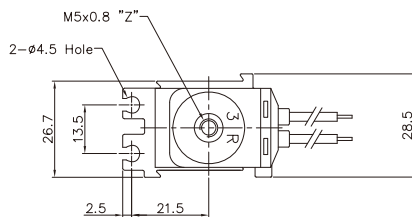
Model NO.(型号)	TSV111(NC)	TSV110(NO)	
Fluid(使用流体)	Clean Air, Inert Gas(洁净空气, 惰性气体)		
Press.(使用压力)MPa(kgf/cm <sup>2</sup> )	0-0.8(0-8)		
Effective Sectional Area(有效截面积)mm <sup>2</sup> (Cv值)	2.5(0.13)		
Ambient Temp.(环境及流体温度)	5-60°C		
Response Time(反应时间)(5kgf/cm <sup>2</sup> )	20ms of Less(以下)		
Max.Cycles(最高操作频率)	10c/s		
Lubrication(润滑)	Not Required(不需要)		
Manual Override(手动操作)	Push Button(STD)(按钮(标准)), Lever(Option)(旋转(选择))		
Shock/Vibration(抗冲击/振动能力)	30G/5G(8.3-2000Hz)		
Sealing(密封)	Dust Proof(防尘)		
Rated Voltage(标准电压)	AC110/220V, DC24		
Allowable Voltage(容许电压变动范围)	Rated Voltage(额定电压的)-10%~+10%		
Coil Insulation(绝缘种类)	Class F(级或相同等级)		
Power Consumption(功率消耗)	AC	Starting(启动)	5.6VA(50Hz), 5.0VA(60Hz)
		Holding(持续)	3.4VA(50Hz), 2.3VA(60Hz)
	DC		2.5W

#### How To Order (型号表示方法)

TSV1 10 - 4 G - V

Port Size 接管口径	Voltage 电压	Connection 接电方式	Type 型式
11 Orifice(口径)1.8PT 1/8 N.C	3 AC110V	G Grommet(直接出线式)	N(空) Standard(标准)
10 Orifice(口径)1.8PT 1/8 N.O	4 AC220V	D Din Type Terminal(插座式)	V Vacuum(真空)
	5 DC24V	DZ Din Type Terminal(插座式) /LED&Varistor(带指示灯和 过压抑制器)	
	6 DC12V		

#### Dimensions(mm)(外形尺寸图(毫米))



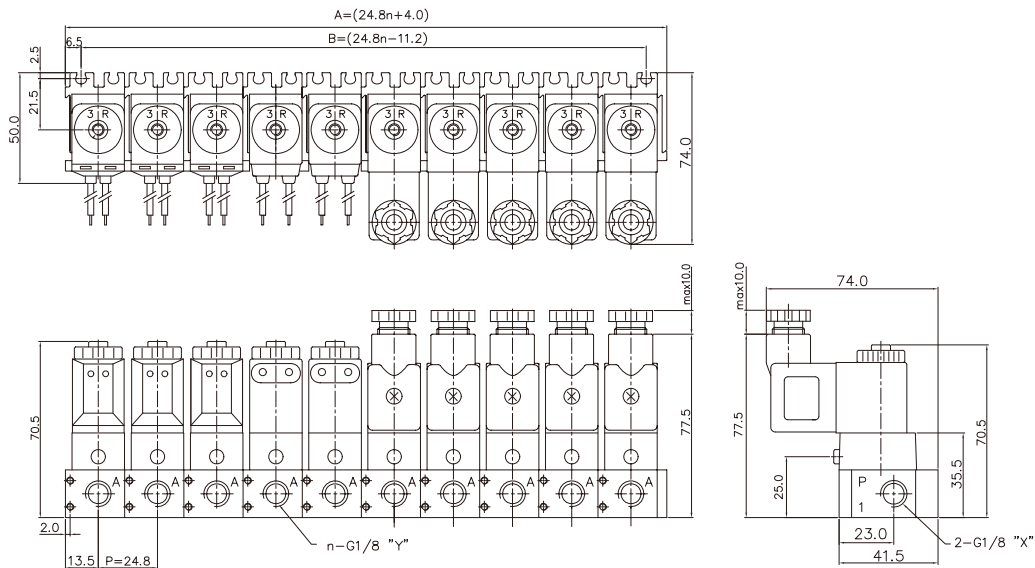
	N.C	N.O
X	P(1)	P(3)
Y	A(2)	A(2)
Z	R(3)	P(1)

# 3通直动型电磁阀/橡胶密封

## 3 Way Direct Type Solenoid Valve/Elastic Seal

### TSV111 Series

Dimensions(mm)(外形尺寸图(毫米))



	2	3	4	5	6	7	8	9	10
A	53.6	78.4	103.2	128.0	152.8	177.6	202.4	222.7	252.0
B	38.4	63.2	88.0	112.8	137.6	162.4	187.2	212.0	236.8

2