

三通提升式/万能通口电磁阀

3 Port Poppet/Universal Solenoid Valve

TVT307 Series



Common Specification (共同规格)

Fluid(流体)	Air, Vacuum, Inert gas(空气、真空、惰性气体)
Port Size(接管口径)	Rc(PT) 1/8, 1/4, G1/8, 1/4
Ambient Temp. (环境温度)	-10°C~50°C
Fluid Temp. (周围温度)	5°C~80°C
Response Time (应答时间)	≤20ms(0.5Mpa时)
Power Consumption (电力消耗)	DC: 4.6W AC: 13/10VA(50/60Hz)
Max.Cycles(最大操作频率)	10c/s(次/秒)
Operating Pressure(使用压力)	Air(空气):0~0.9MPa Vacuum(真空): 10~760Torr
Manual Override(手动操作)	Non-Lock Push Button(无锁定按钮式)
Coil Insulation(绝缘等级)	Class F (F级)
Allowable Voltage(容许电压变动范围)	Rated Voltage(额定电压)±10%
Effective Sectional Area(有效截面积)	3.2mm ² (CV=0.18)

Feature (特征)

- A single valve with 6 valve functions.(Universal porting type)
- Continuous high frequency operation available.(Max. 10C/S)
- Burn proof structure, long service life.
- 集六种阀的功能为一体 (万能阀)。
- 可以进行高频度的连续操作 (MAX10C/S)。
- 具有阻燃功能,使用寿命长。

Function(阀形式)		Symbol (图形符号)
Nil(无符号)	Air(空气)	
V	Vacuum(真空)	N.C (常闭)
		N.O (常开)
Function(阀形式)		Symbol (图形符号)
V	Vacuum+Air(真空+空气) 1Port - Vacuum 3Port - Air 1通-真空 3通-空气	
	Air+Vacuum(空气+真空) 1Port - Air 3Port - Vacuum 1通-空气 3通-真空	

(Table1)

Applications(应用)

Type	3 Port Valve (N.C)	3 Port Valve (N.O)
Solenoid OFF		
Solenoid ON		
Type	2 Port Valve (N.C)	2 Port Valve (N.O)
Solenoid OFF		
Solenoid ON		
Type	Selector Valve	Divider Valve
Solenoid OFF		
Solenoid ON		

How To Order (型号表示方法)

TVT 307 - 02 3 - G

Specification Code
规格代码

TVT
Series

Port Type
螺纹种类

Nil (无符号) Rc(PT)
G G

Function
阀形式

Nil (无符号) Air(空气)
V Vacuum (真空)

Port Size
接管口径

01 1/8"
02 1/4"

Rated Voltage
额定电压

3 AC100/110V 50/60Hz
4 AC200/220V 50/60Hz
5 DC24V
6 DC12V

Connection
接电方式

G Grommet(直接出线式)
D Din Type Terminal(插座式)
DZ Din Type Terminal(插座式)
/LED&Varistor(带指示灯和过压抑制器)

*Please refer to the table1. (请参考表格1).

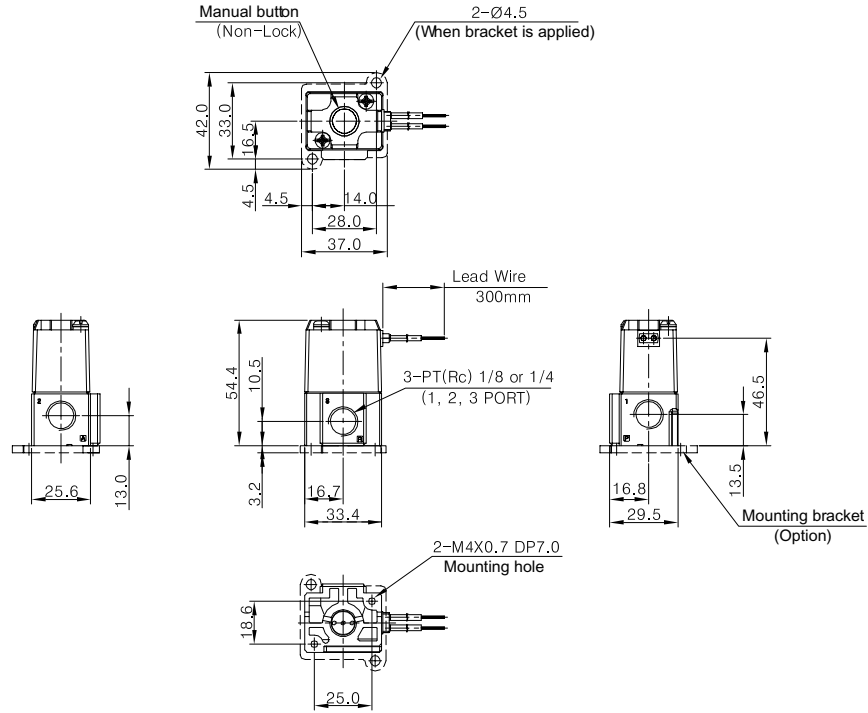
三通提升式/万能通口电磁阀

3 Port Poppet/Universal Solenoid Valve

TVT307 Series

Dimensions(mm)(外形尺寸图(毫米))

TVT307 - □G



Dimensions(mm)(外形尺寸图(毫米))

TVT307 - □D/DZ

